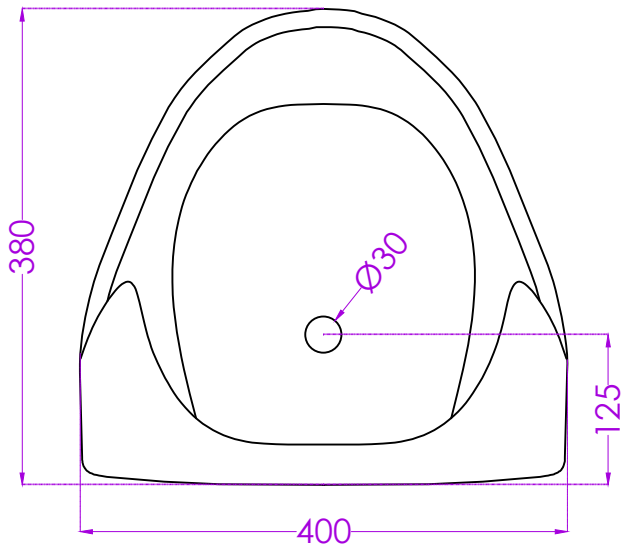
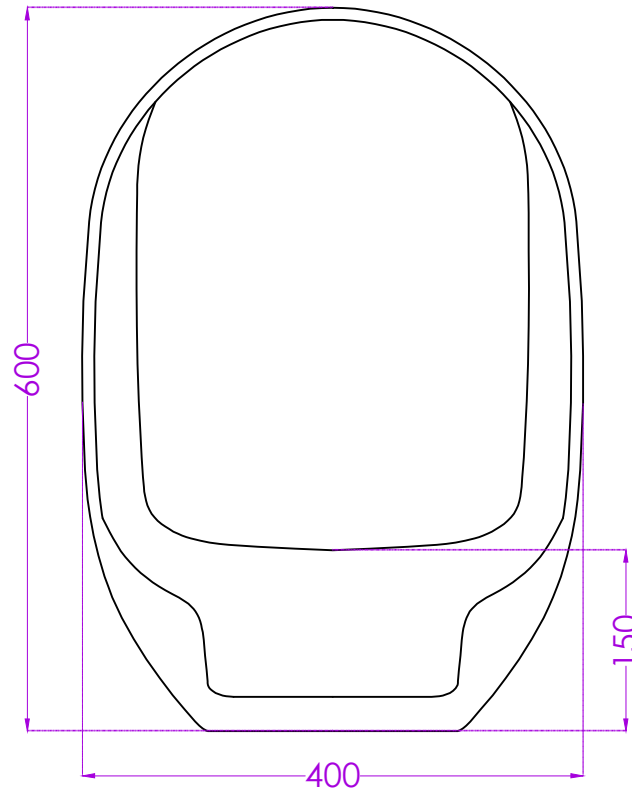


TOPAZ P0519PW0703
HALF STALL URINAL

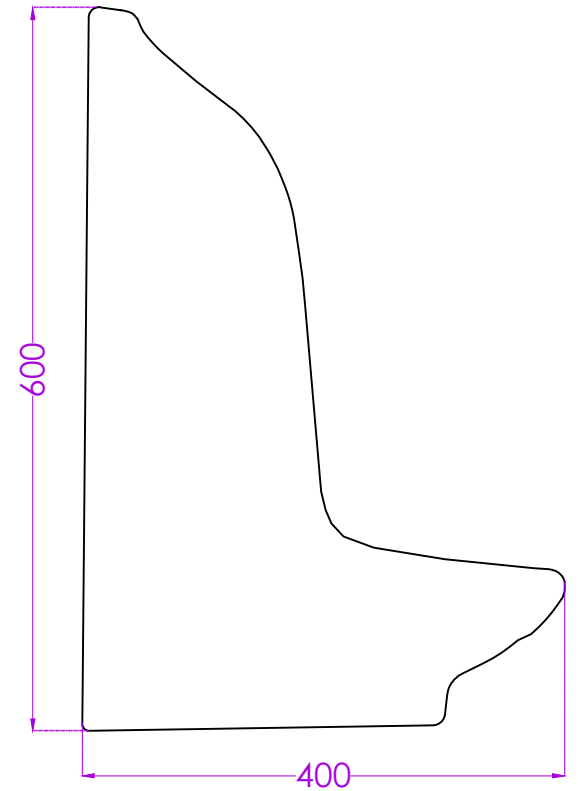
JOHNSON



PLAN



FRONT



SIDE